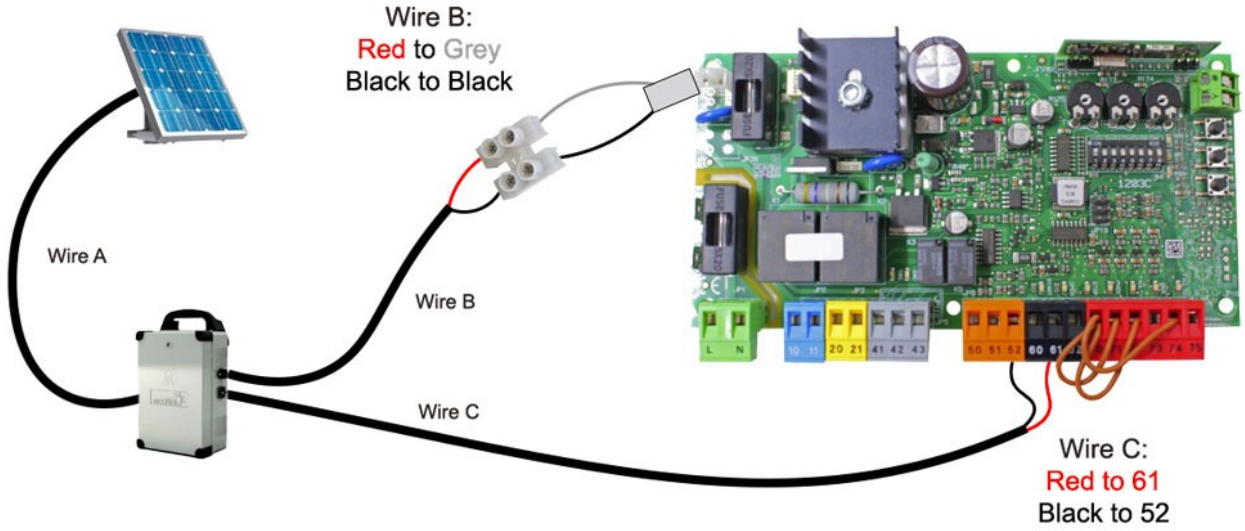




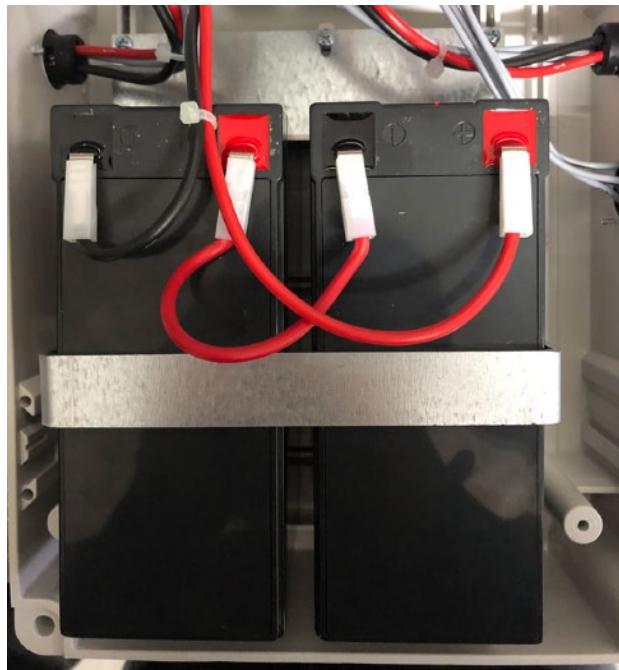
### BFT BT A400/600 Solar Configuration

Connect all the wires:



Power the Batteries:

Connect the red and black wires just like the photo.



### Place the jumper:

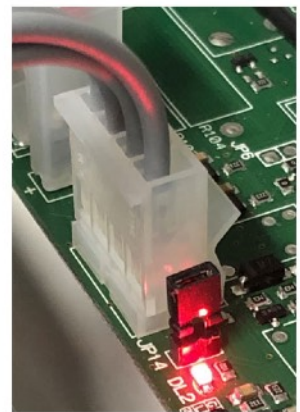
To let the power flow from the Ecosol Box to the Control Board, electric jumper needs to be in place.



This is where  
to place the  
electric jumper



Before placing the jumper



After placing the jumper

### Programme the motors:

Put the motor into learning mode by pressing and holding down S3 button on the control board until the gate starts to move. It will open and close several times until the control logic is satisfied. When your gate comes to a complete stop, programming is complete.

### Remove the jumper:

Remove the jumper from the Ecosol Box. This is done to only allow power to go to the Control Box when you press your remote to preserve battery life.