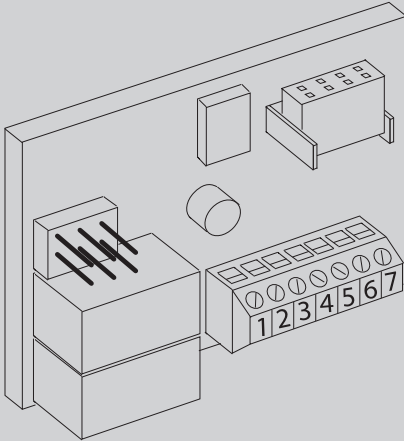




OPTIONAL BOARD



INSTALLATION MANUAL

B E B A I O

U-link



AZIENDA CON SISTEMA DI GESTIONE
INTEGRATO CERTIFICATO DA DNV
= UNI EN ISO 9001:2008 =
UNI EN ISO 14001:2004



1) GENERAL OUTLINE

Input - output expansion board

2) TECHNICAL SPECIFICATIONS

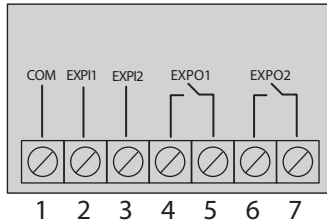
Max. current - contacts 4-5 and 6-7:.....1A

Max. voltage - contacts 4-5 and 6-7 ...24V

3) CONTROL UNIT SETTINGS

$R_{addrE55} = 0$

$S_{Er iRL RodE} = 0$



These boards are compatible only with control panels using the U-link protocol.



Bft Spa
Via Lago di Vico, 44
36015 Schio (VI)
T +39 0445 69 65 11
F +39 0445 69 65 22
→ www.bft.it

SPAIN
BFT GROUP ITALIBERICA DE AUTOMATISMOS S.L.
08401 Granollers - (Barcelona)
www.bftautomatismos.com

FRANCE
AUTOMATISMES BFT FRANCE
69800 Saint Priest
www.bft-france.com

GERMANY
BFT TORANTRIEBSSYSTEME GmbH H
90522 Oberasbach
www.bft-torantrieb.de

UNITED KINGDOM
BFT AUTOMATION UK LTD
Stockport, Cheshire, SK7 5DA
www.bft.co.uk

IRELAND
BFT AUTOMATION LTD
Dublin 12

BENELUX
BFT BENELUX SA
1400 Nivelles
www.bftbenelux.be

POLAND
BFT POLSKA SP. Z O.O.
05-091 Ząbków
www.bft.pl

CROATIA
BFT ADRIA D.O.O.
51218 Dražice (Rijeka)
www.bft.hr

PORTUGAL
BFT SA-COMERCIO DE AUTOMATISMOS E MATERIAL DE SEGURANCIA
3020-305 Coimbra
www.bftportugal.com

CZECH REPUBLIC
BFT CZ S.R.O.
Praha
www.bft.it

TURKEY
BFT OTOMATIK KAPI SISTEMLERİ SANAYİ VE
İstanbul
www.bftotomasyon.com.tr

RUSSIA
BFT RUSSIA
111020 Moscow
www.bftorus.ru

AUSTRALIA
BFT AUTOMATION AUSTRALIA PTY LTD
Wetherill Park (Sydney)
www.bftaustralia.com.au

U.S.A.
BFT USA
Boca Raton
www.bft-usa.com

CHINA
BFT CHINA
Shanghai 200072
www.bft-china.cn

UAE
BFT Middle East FZCO
Dubai

