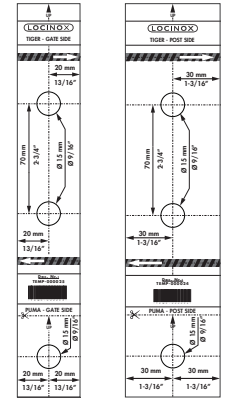
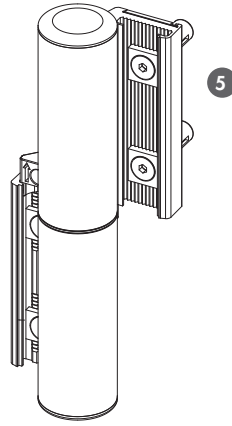
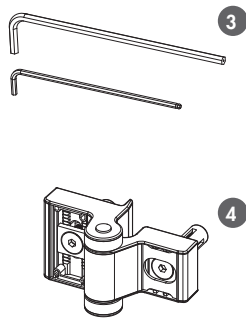
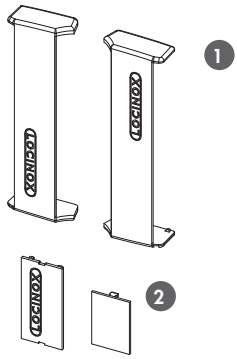


## TIGER: INSTALLATION INSTRUCTION

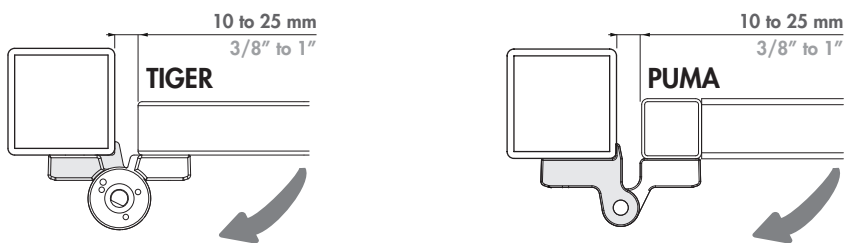
### ① Package content



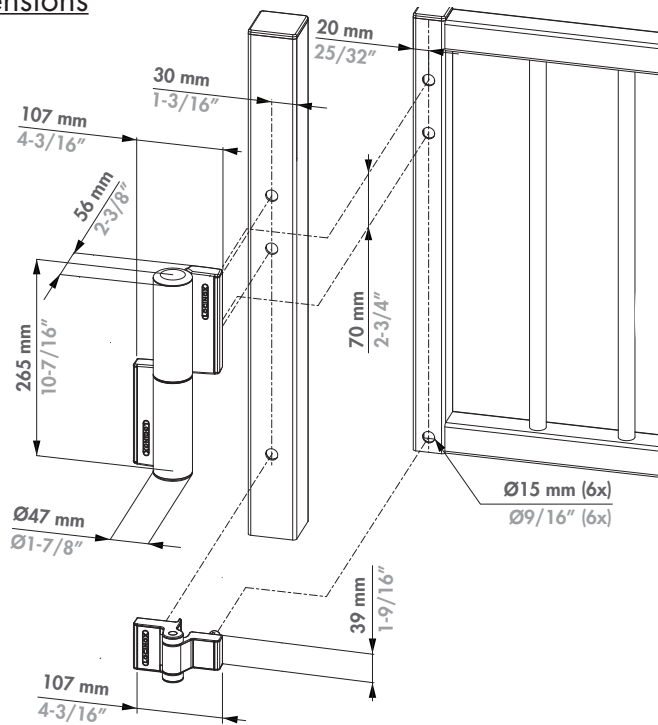
1	Tiger cover shields
2	Puma cover shields
3	Allen Keys (3 and 5 mm)
4	Puma hinge
5	Tiger gatecloser
6	Drilling Templates

### LEFT TURNING GATE

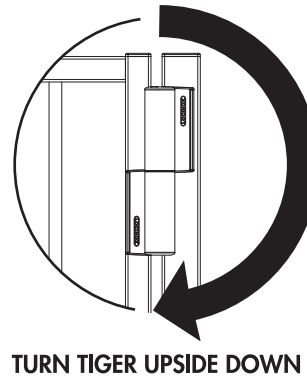
#### ② Mounting Situation



#### ③ Dimensions



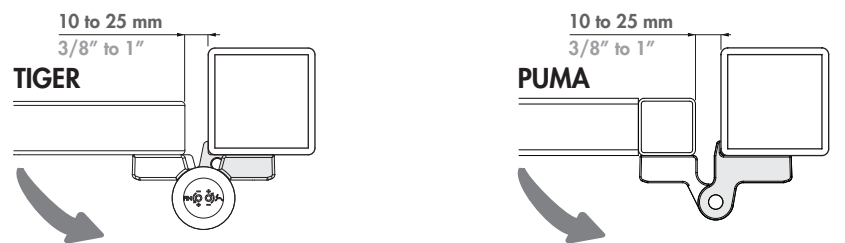
### RIGHT HAND TURNING GATE



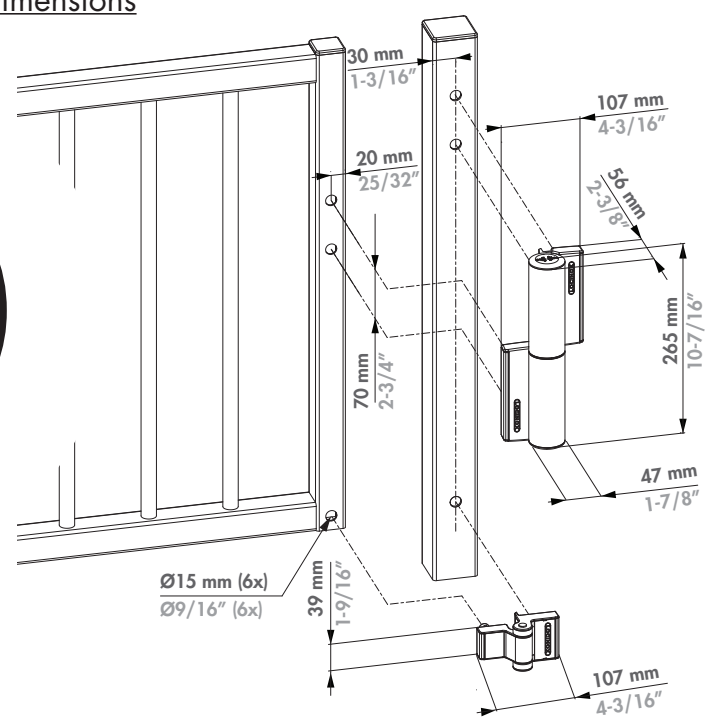
TURN TIGER UPSIDE DOWN

### RIGHT TURNING GATE

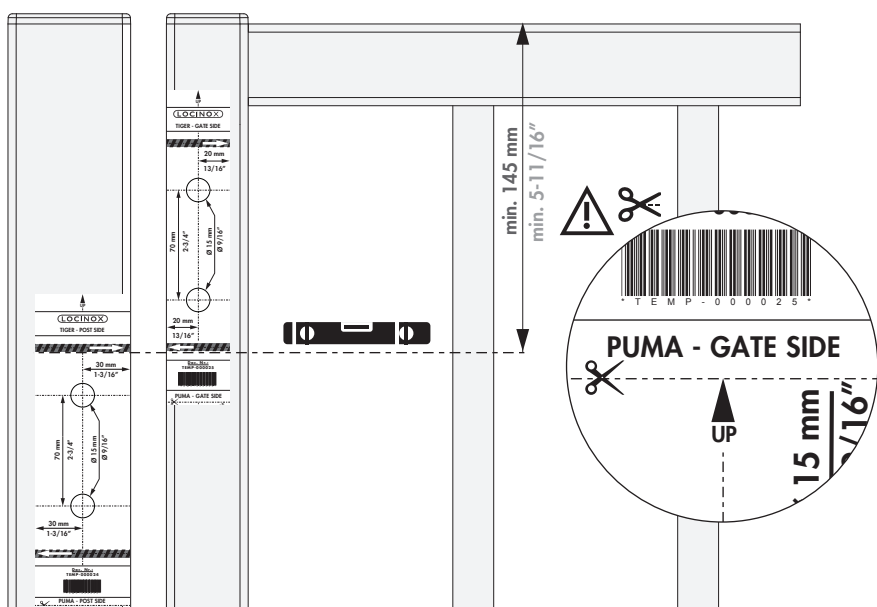
#### ② Mounting Situation



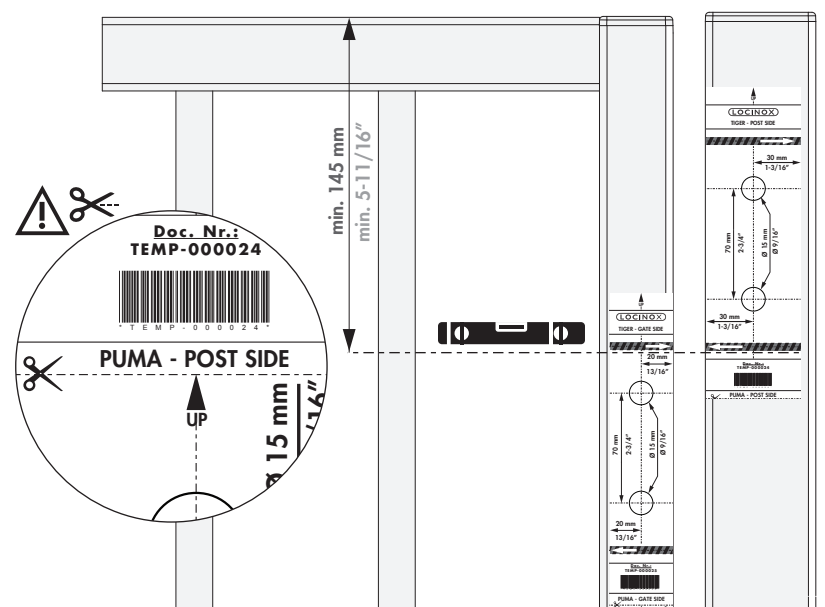
#### ③ Dimensions



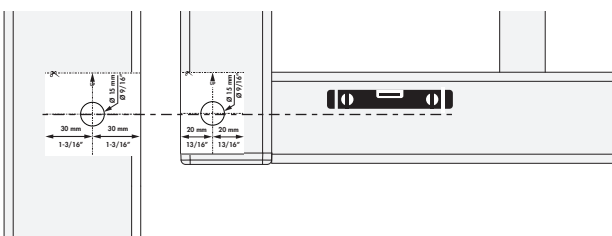
#### ④ Profile and gate preparation for TIGER gatecloser



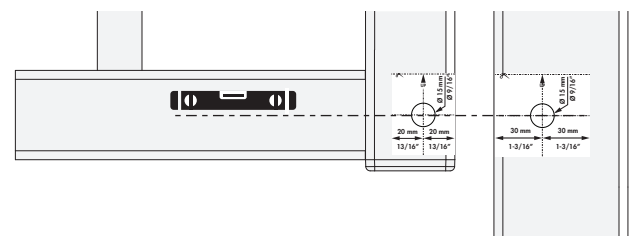
#### ④ Profile and gate preparation for TIGER gatecloser



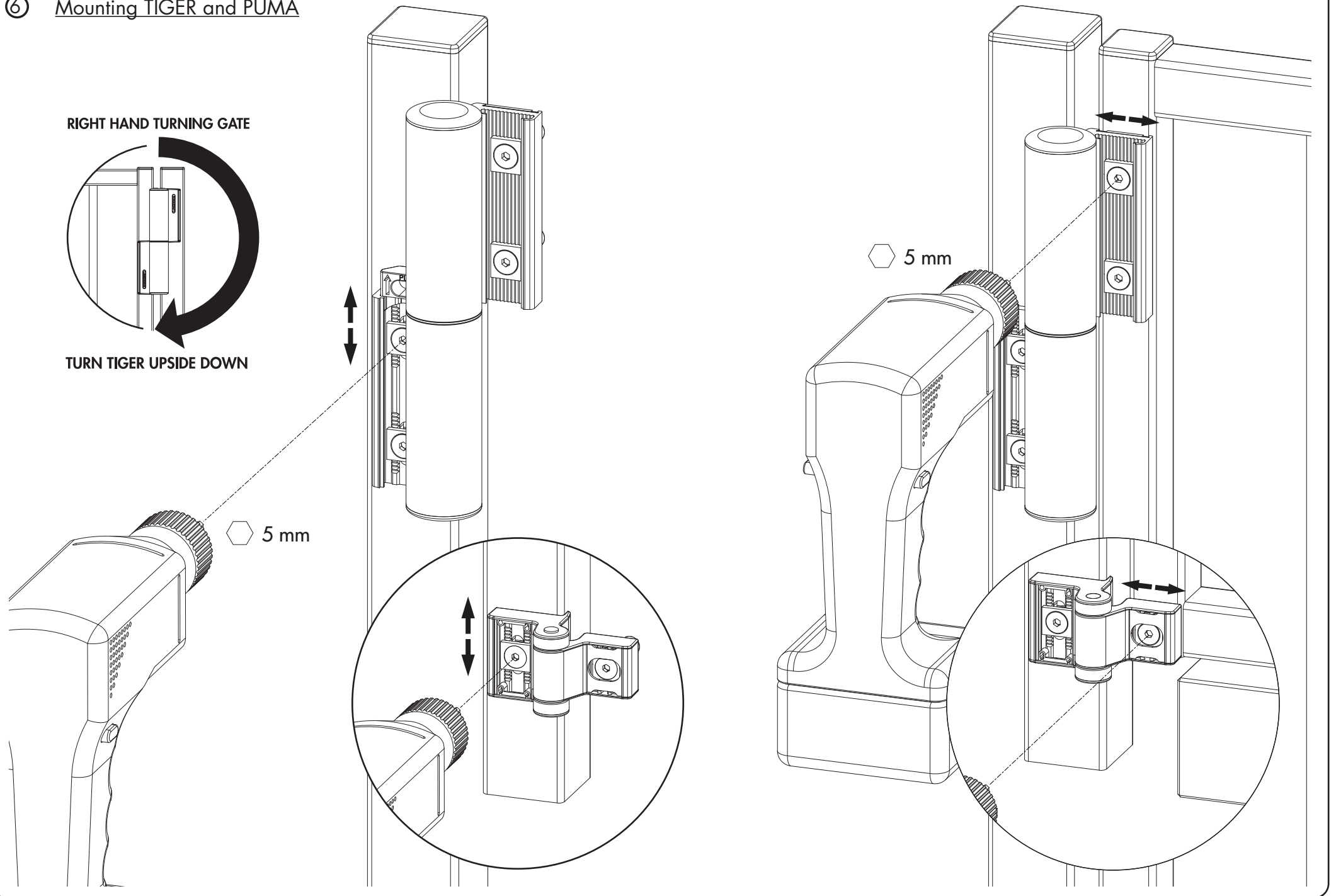
#### ⑤ Profile and gate preparation for PUMA hinge



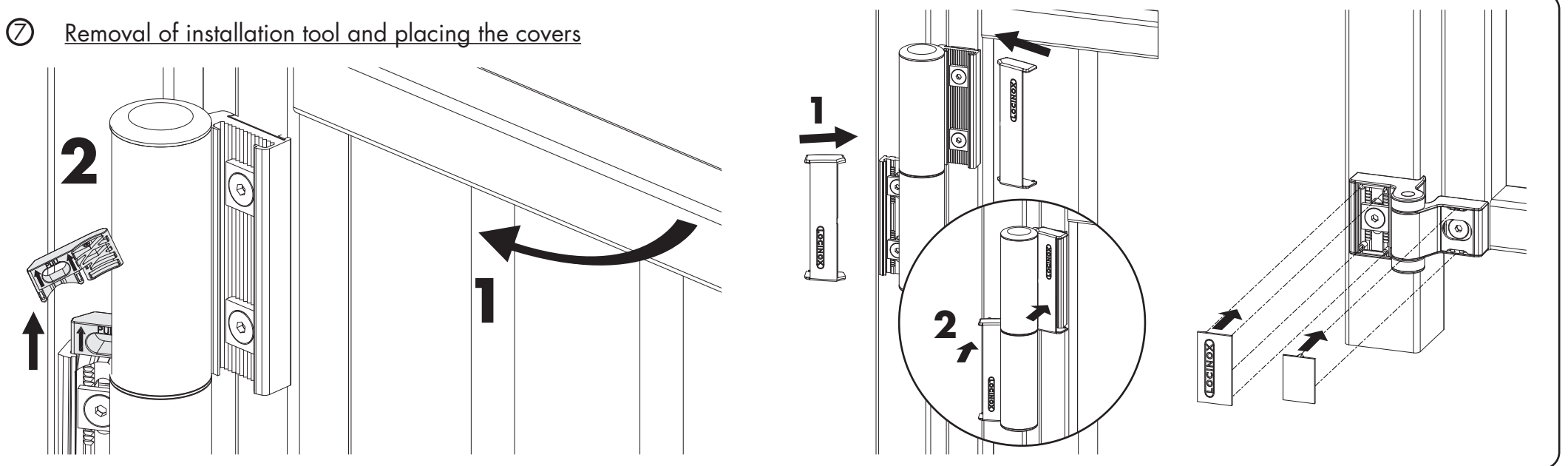
#### ⑤ Profile and gate preparation for PUMA hinge



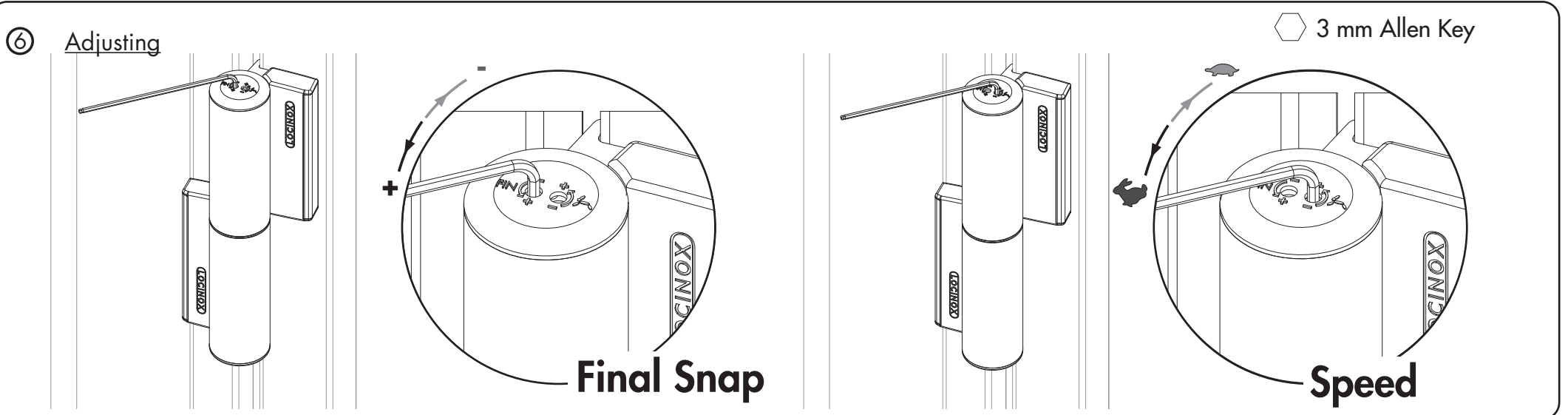
⑥ Mounting TIGER and PUMA



⑦ Removal of installation tool and placing the covers



⑧ Adjusting



**LOCINOX**<sup>®</sup>  
Let's make it better together

Doc. Nr.: MANU-000227

Locinox NV • Brabantstraat 107 • 8790 Waregem • Belgium • www.locinox.com  
Locinox CEE • Irysowa 9 • 55-040 Bielany Wrocławskie • Poland  
Locinox LLC • 460 Windy Point Drive • Glendale Heights - IL 60139 • USA

